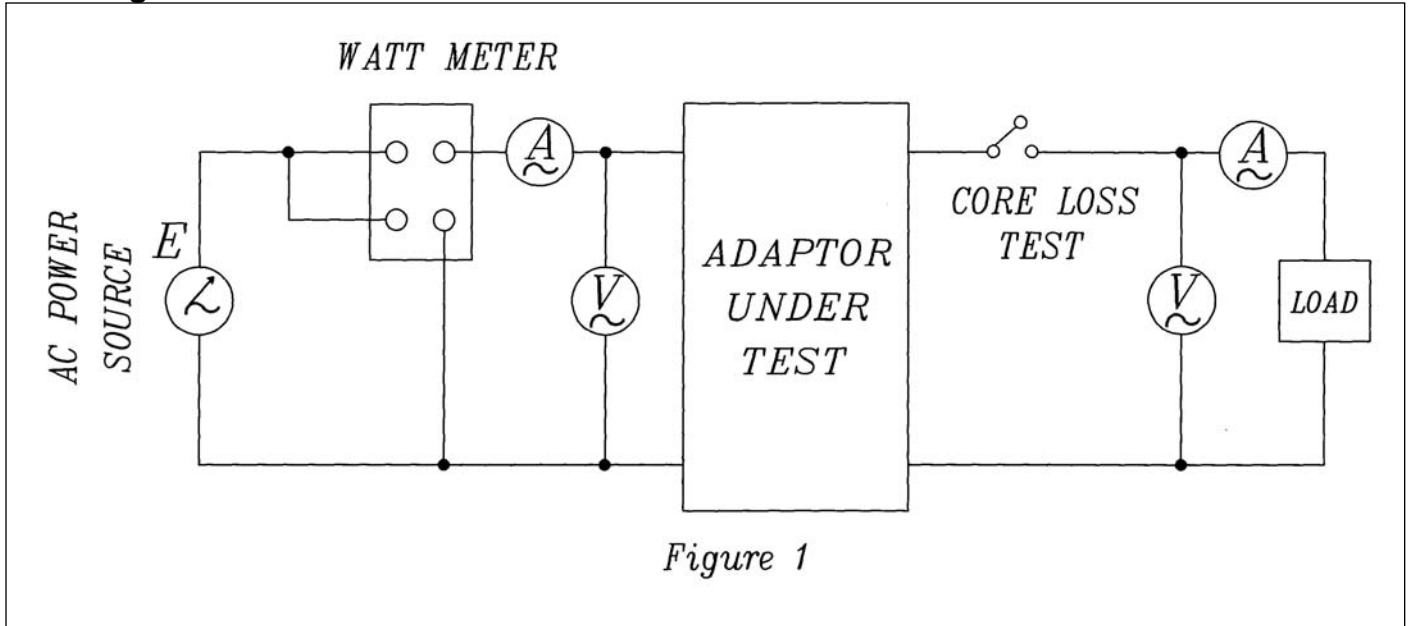
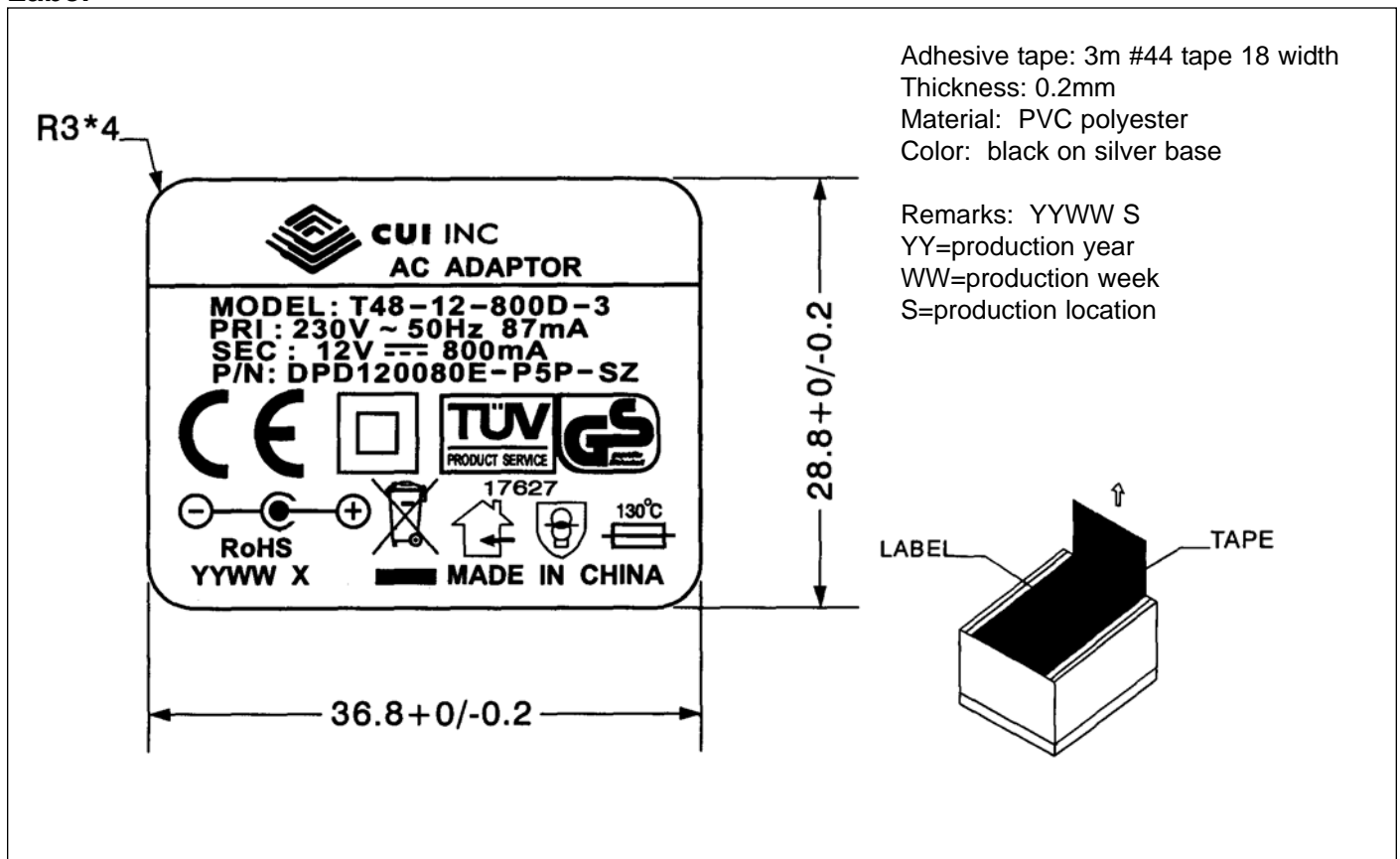




Specifications

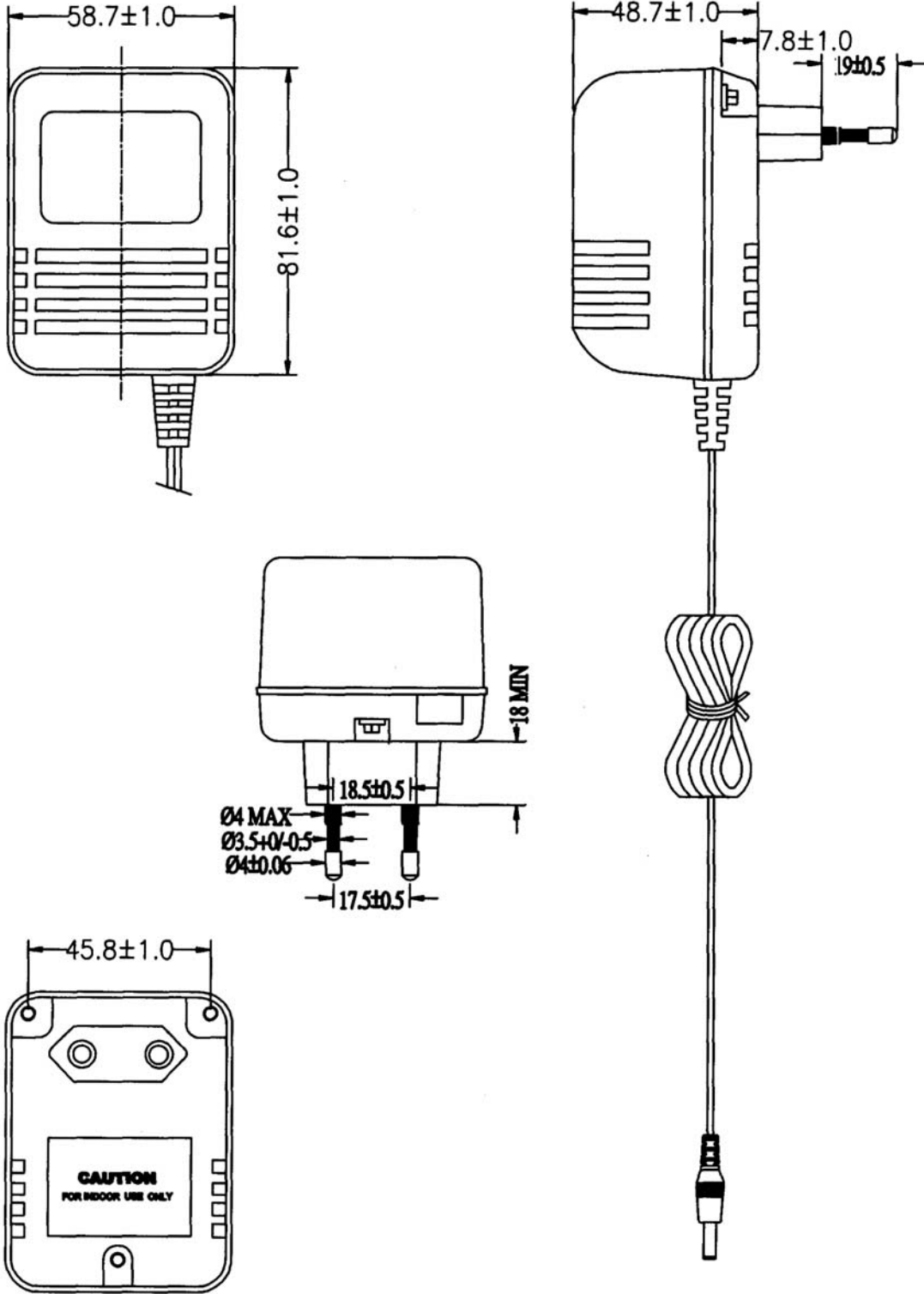
Output voltage	12 V dc at 800 mA	
Primary rated input	230 V ac 50 Hz 87 mA	
Primary exciting current	70 mA rms max.	
Secondary rated voltage & current	no load voltage (max.)	17.5 V max.
	full load volatge (800 mA)	12 V ±5%
Temperature rise of primary winding (full load)	70°C max. using resistance method	
Insulation resistance	≥ 100 M Ohm at 500 V dc	
HI-POT test	from input to output for 1 min.	3000 V ac at 2 mA
	from input to output for 1 sec.	3750 V ac at 2 mA
	from primary to seconardy winding for 1 sec.	4500 V ac at 2 mA
	from primary winding to core for 1 sec.	4500 V ac at 2 mA
	from secondary winding to core for 1 sec.	1500 V ac at 2 mA
Safety standard	TUV/GS	
RoHS compliant	yes	
Test conditions	Ambient temp	40°C ±2°C
	Humidity	90-95% 96 hours at Full Load
	Rated voltage	8 hours at full load
Color	Case	black
	Cord	black
	Plug top	black

Test Diagram

Label




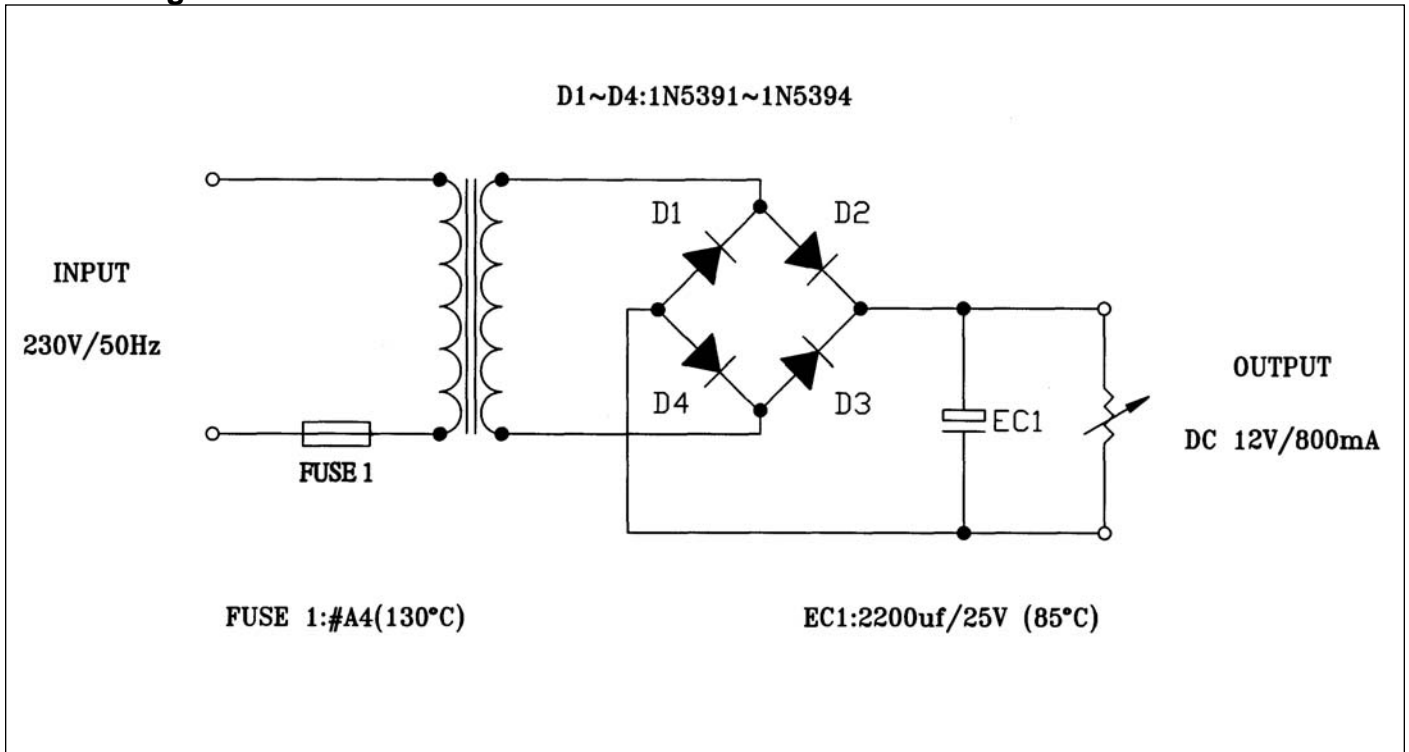
Mechanical Drawing

Tolerance: ± 1





Circuit Diagrams





CUI INC

Part No: DPD120080E-P5P-SZ

Date: 2/27/2006

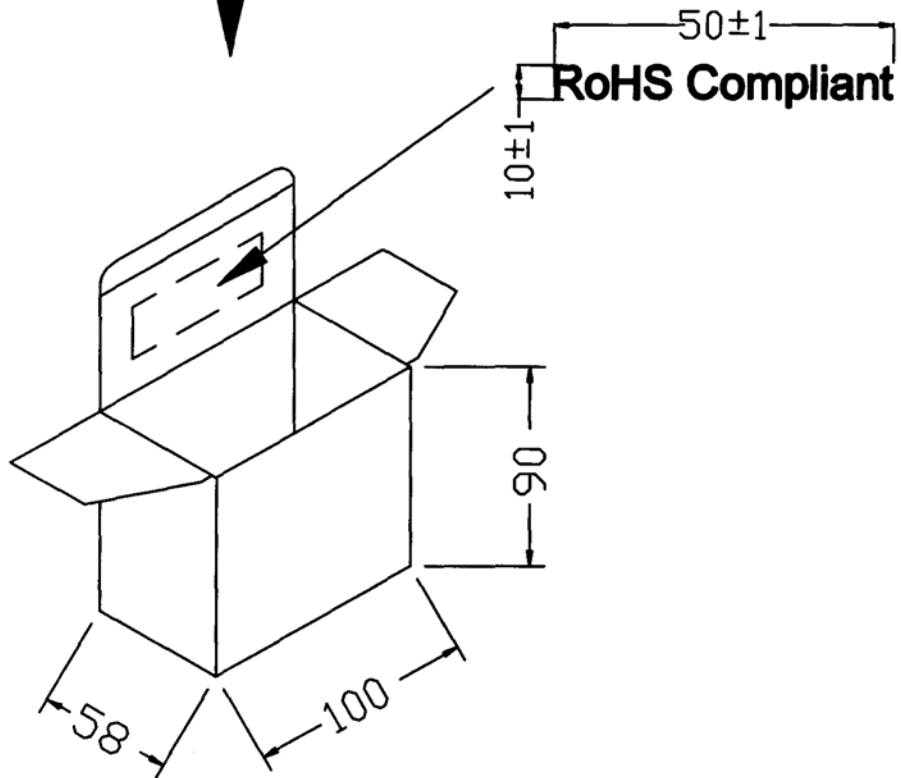
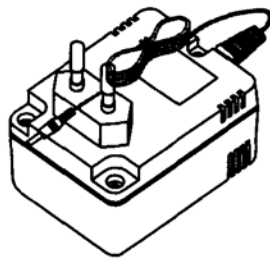
Unit: mm

Description: linear power supply

Page No: 6 of 7

Packaging

Tolerance: ± 1





Packaging

Tolerance: +7/-0

CARTON MATERIAL:A=B(6mm)

CARTON SIZE: 485X328X149mm

Q'TY: 30pcs(15x2x1)

